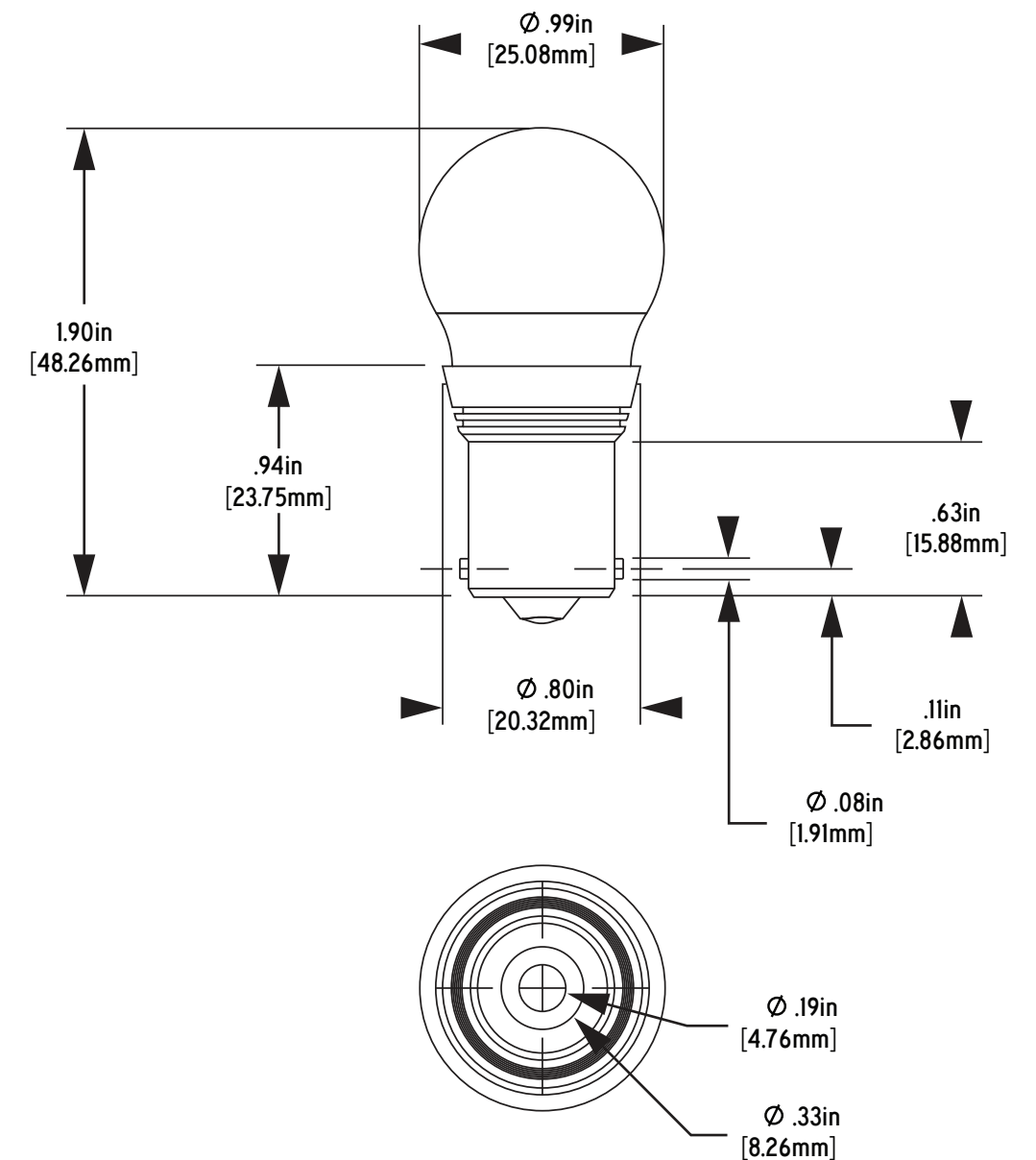


18200R LED REPLACEMENT BULB



Description

The 18200R LED replacement bulb is suitable for many applications. The 360° beam angle reduces hot spots and provides a wide viewing angle for all-over light emission. The stock bulb cover encloses the LEDs and gives the bulb a traditional look. Designed to last 30,000 hours. Designed for DC voltage applications.

Product Details

Ambient Operating Temperature: -30~+60 °C
 (-22~+140 °F)
 Base Type: BA15S (Single Contact Bayonet)
 Beam Angle: 360°
 CAN Bus: No
 Dimmable: No
 IP Rating: IP65
 LED Lifetime: 30000 Hours
 Lens Color: Clear
 LED Color: Red
 Operating Voltage: 12 VDC
 Oversize: No
 Polarity Sensitive: No
 Product Material: Glass Lens
 Reference Number: 1156 (BA15S)
 Wattage: 1.9 Watts



PART #	DESCRIPTION
NEG-18200R	12v Replacement RED LED Bulb for 4" Gate Lights