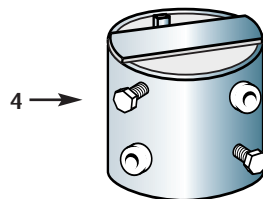
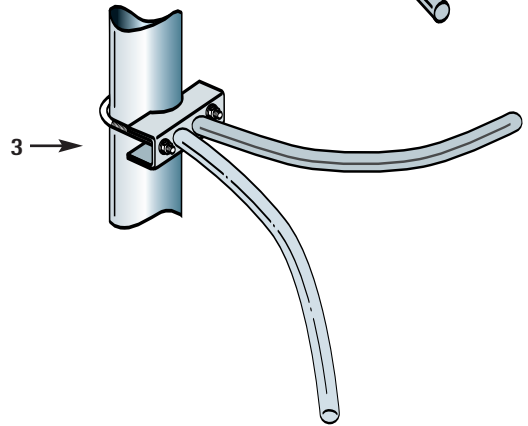
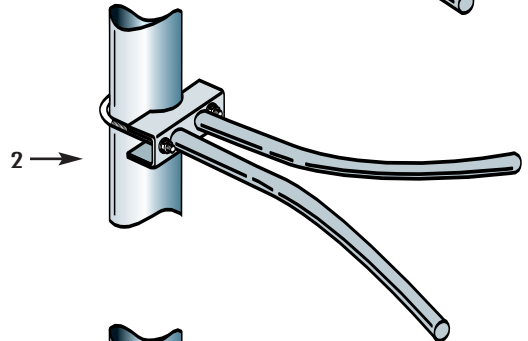
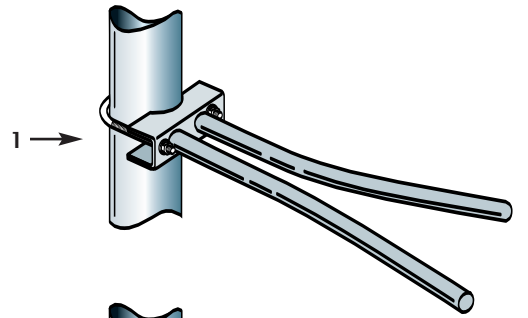
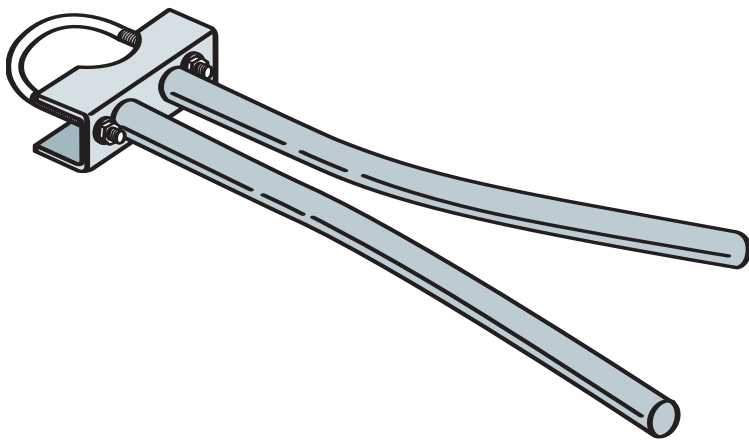




High Wind Brackets and Mast Extensions



Stub Mast

Item	Description	NEG Number
1	High Wind Bracket 36" Mouth	WIG 191036
2	High Wind Bracket 48" Mouth	WIG 191048
3	High Wind Bracket 60" Mouth	WIG 191060
4	Drilling Fixture for Mast Extension Installation	FIX EX 121001
Not Shown	Mast Extension to Convert Stub Mast to 15 ft.	WIG EX 121000

