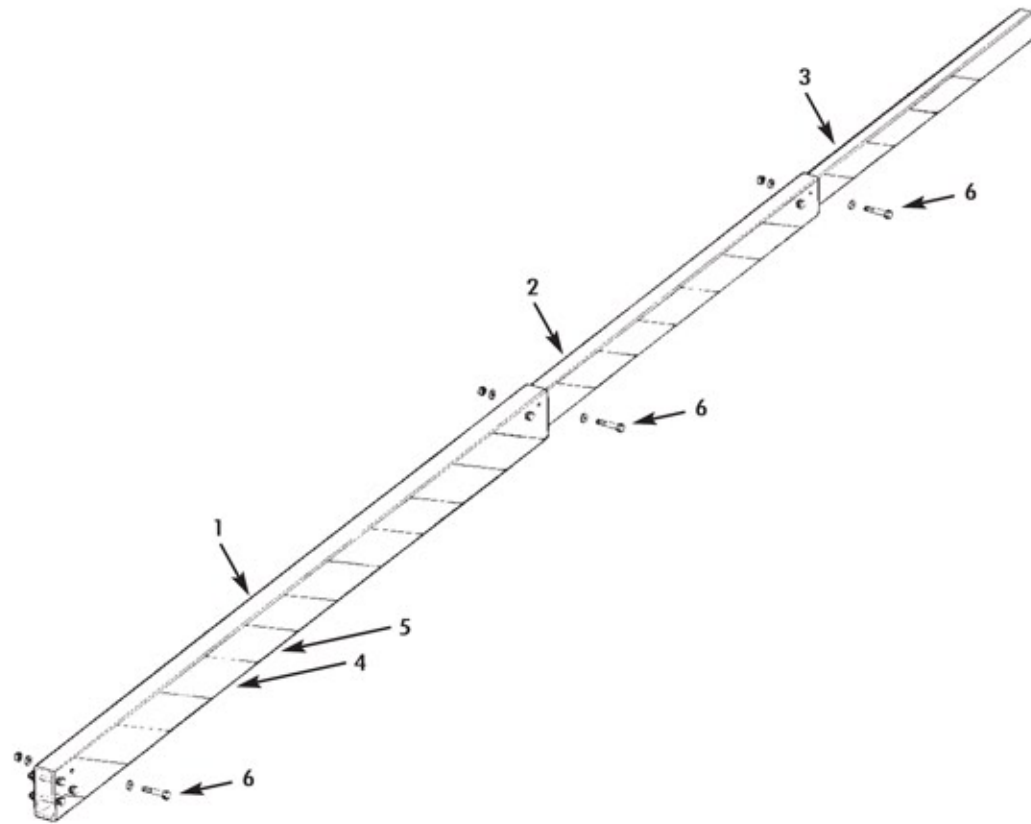




Alumi-Glass Extendable Roadway Arm



Alumi-Glass Gate Arms 16' to 48'

16' to 48'	Description	NEG Number
	Complete Gate Arm	NEG-8003- #
1	Aluminium 1st Section (Length range: 8', 16', 21', 24')	NEG-2120- #
2	Fiberglass 2nd Section (Length range: 4' - 16')	NEG-502- #
3	Fiberglass 3rd Section (Length range: 4' - 16')	NEG-503- #
4	Base Section Hardware	Please Call
5	2nd Section Hardware	Please Call
6	3rd Section Hardware	Please Call

Insert desired length where the “#” appears in the above part numbers.

*Available in lengths beyond AAR recommended maximum length of 38 feet.

